



CHIEF EXECUTIVE APPROVAL 04/2016
Plumbing and Drainage Act 2002, part 5.

Approval

1. The **OzziKleen GTS10** ("the system") described in the Specifications and Drawings in the attached Schedule and manufactured by **Suncoast Waste Water Management** ("the manufacturer") (ABN 62 063 770 534) has been assessed in accordance with the Queensland Plumbing and Wastewater Code (QPW Code) dated 15 January 2013.
2. Approval is granted for an advanced secondary quality greywater treatment system, subject to compliance by the manufacturer with the requirements of the *Plumbing and Drainage Act 2002, part 5* and the conditions of approval detailed below.
3. This approval, the conditions of approval and the Schedule comprise the entire Chief Executive Approval document.
4. Any modification by the manufacturer to the design, drawings or specifications scheduled to this approval must be approved by the Chief Executive.

Conditions of approval

5. The manufacture, installation, operation, service and maintenance of the systems must be in conformity with the conditions of this Chief Executive Approval.
6. The advanced secondary quality greywater treatment system may only be used on premises that generate per day:
 - (a) a maximum hydraulic loading of 2,000 litres/day; and
 - (b) a maximum organic loading of 600 grams/day BOD₅
7. For the system to meet the requirements of an advanced secondary quality greywater treatment system, the system must produce the following effluent quality —
 - (a) 90% of the samples taken must have a BOD₅ less than or equal 10g/m³ with no sample greater than 20g/m³; and
 - (b) 90% of the samples taken must have total suspended solids less than or equal 10g/m³ with no sample greater than 20g/m³; and
 - (c) 90% of the samples taken must have thermotolerant coliform count not exceeding 10 organisms per 100 mL with no sample exceeding 200 organisms per 100mL.
 - (d) Where chlorination is the disinfections process, the total chlorine concentration shall be greater than or equal to 0.5gm³ and less than 2.0g/m³ in four out of five samples taken.
8. Each system must be serviced in accordance with the manufacturers details supplied in the owner's service and maintenance manuals.
9. Each system must be supplied with —
 - (a) a copy of this Chief Executive Approval document;
 - (b) details of the system and ancillary equipment;
 - (c) instructions for authorised persons for its installation;

Department of Local Government and Planning
Chief Executive Approval
Approval No: <u>4/16</u>
Date of Issue: <u>2/4/16</u>
Delegate Signature: <u>[Signature]</u>
Building Codes Qld

- (d) a copy of the owner's manual to be given to the owner at the time of installation; and
 - (e) detailed instructions for authorised service personal for its operation and maintenance.
10. This approval does not extend, apply to, or include the land application system used in conjunction with an approved system installed on premises.
 11. At each anniversary of the Chief Executive Approval date, the supplier must submit to the Chief Executive a list of all systems installed in Queensland during the previous 12 months.
 12. Where the Chief Executive is notified of any system failures the Chief Executive may randomly select a number of installed systems for audit. The Chief Executive will notify the National Association of Testing Agencies (NATA) accredited laboratory nominated by the supplier, which systems are to be audited for Biochemical Oxygen Demand (BOD₅) and Total Suspended Solids (TSS). The sampling and testing of the selected systems, if required, is to be done at the supplier's expense. The following results must be reported to the Chief Executive;
 - (a) Address of premises.
 - (b) Date inspected and sampled.
 - (c) Sample identification number.
 - (d) Biochemical Oxygen Demand (BOD₅).
 - (e) Total Suspended Solids (TSS).
 13. The Chief Executive may, by written notice, cancel this approval if the manufacturer fails — to comply with one or more of the conditions of approval; or within 30 days, to remedy a breach, for which a written notice been given by the Chief Executive.
 14. This approval may only be assigned with the prior written consent of the Chief Executive.
 15. This approval expires on **15** April 2021 unless cancelled earlier in accordance with paragraph 13 above.



Lindsay Walker
Director
Strategic Policy (Plumbing, Drainage, Committees and Special Projects)

Date approved: **12** April 2016

Level 16,
41 George Street Brisbane
GPO Box 2457, Brisbane Qld 4001
Telephone +61 7 300 82552
Facsimile +61 7 323 71248
Website www.hpw.qld.gov.au

ABN 61 331 950 314


CHIEF EXECUTIVE APPROVAL No. 04/2016
Plumbing and Drainage Act 2002, part 5, division 1, section 93

SCHEDULE

Attachment 1

Specifications for the

OzziKleen GTS10

Department of Local Government and Planning Chief Executive Approval
Approval No: <u>4/16</u>
Date of Issue: <u>12/4/16</u>
Delegate Signature: <u></u> Building Codes Qld

Department of Local Government and Planning
Chief Executive Approval
 Approval No: 4/16
 Date of Issue: 12/4/16
 Delegate Signature: [Signature]
 Building Codes Qld

SPECIFICATIONS

Parameter	Raw Greywater Characteristics	
Greywater treatment capacity	10 persons EP at 200 l/person/day	
Maximum hydraulic load	2,000 l/day	
Biological Oxygen Demand (BOD ₅)	300 mg/litre or 60 g/day/person	
Total Suspended Solids (TSS)	300 mg/litre or 60 g/day/person	
Total grease and oils	75 mg/litre	
Greywater temperature range	10°C to 38°C	
Parameter	Effluent Standard: Guaranteed (90 th percentile)	Effluent Standard: Test Results (90 th percentile)
BOD ₅	< 10 mg/l	< 4 mg/l
Suspended Solids	< 10 mg/l	< 8 mg/l
Total Nitrogen	< 20 mg/l	< 16.7 mg/l
Total Phosphorous	< 10 mg/l	< 7.29 mg/l
Thermotolerant Coliforms	< 10 colonies per 100 ml	0 colonies per 100 ml
Free Chlorine	> 0.5 -- < 4.0 mg/l	< 4.0 mg/l
Effluent is suitable for toilet flushing / washing machine reuse		

Treatment Plant Construction:

Tank and components Polyethylene (MDPE)
 All Pipe work PVC

Electrical Equipment:

Air Blower 85 litre/min
 Effluent Pump Submersible
 Controls Electronic

Alarm System:

Alarm System 12 Volt Audio/Visual
 Alarm signal Indicator lights for Power, Blower

Aeration Tank:

Aeration tank volume 4850 litre
 Residence time 46 hr

Disinfection equipment:

Chlorinator Type Tablet Dispenser Cassette
 Chlorine min contact time (max flow) 86 min

Motor Box:

Equipment Contained Air Blower, Control Board,
 Decanter Solenoid Valve equipment

Effluent Tank and Pump:

Effluent storage compartment volume 523 litres
 Effluent pump duty 40 litres/min @ 8 m head
 Pump Mounting Suspended on discharge pipe

Irrigation Equipment: Basic irrigation equipment is supplied with the treatment plant. The irrigation system could be of several different formats. Check with Local Authority requirements.

CHIEF EXECUTIVE APPROVAL No. 04/2016
Plumbing and Drainage Act 2002, part 5, division 1, section 93

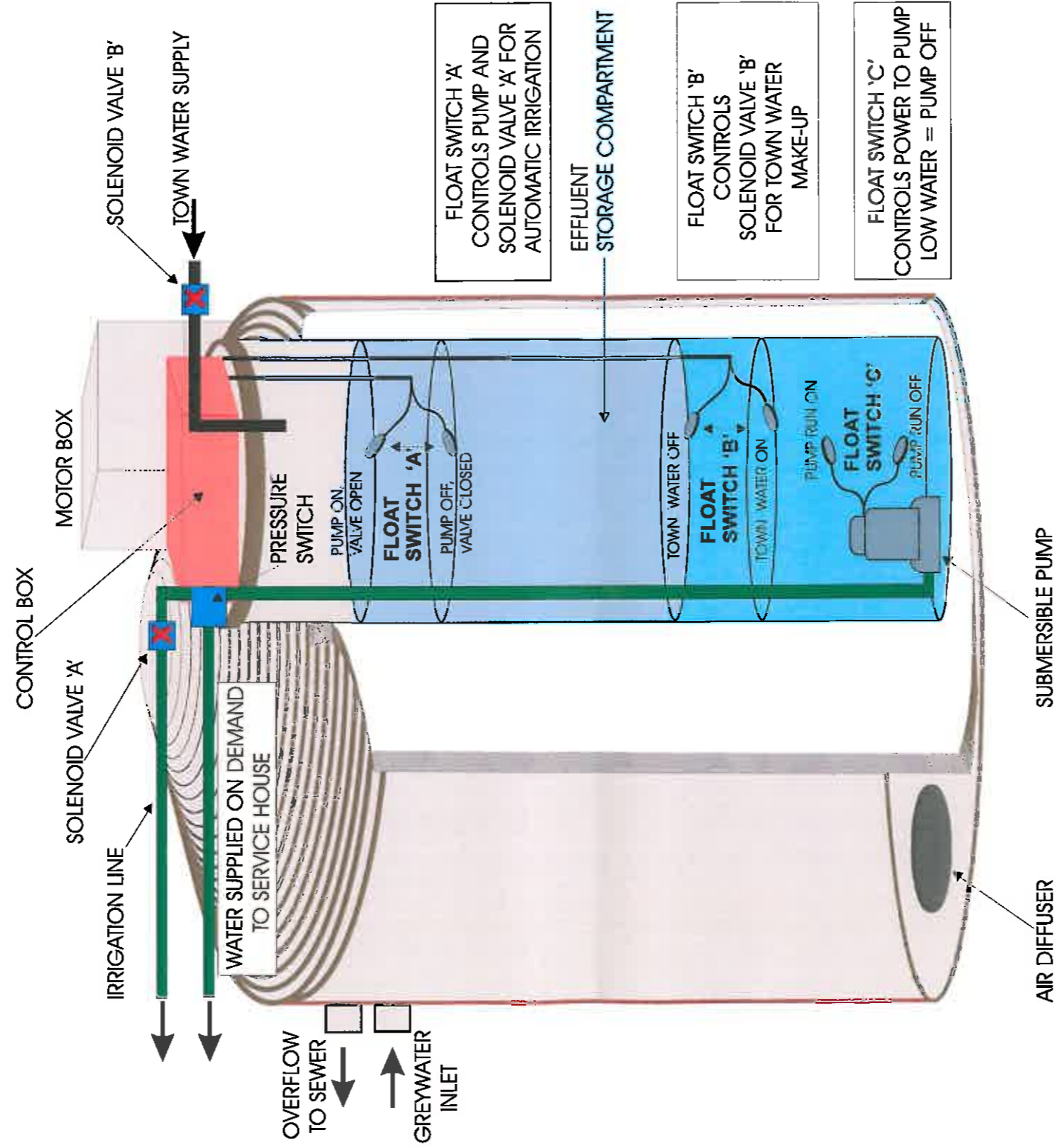
SCHEDULE

Attachment 2

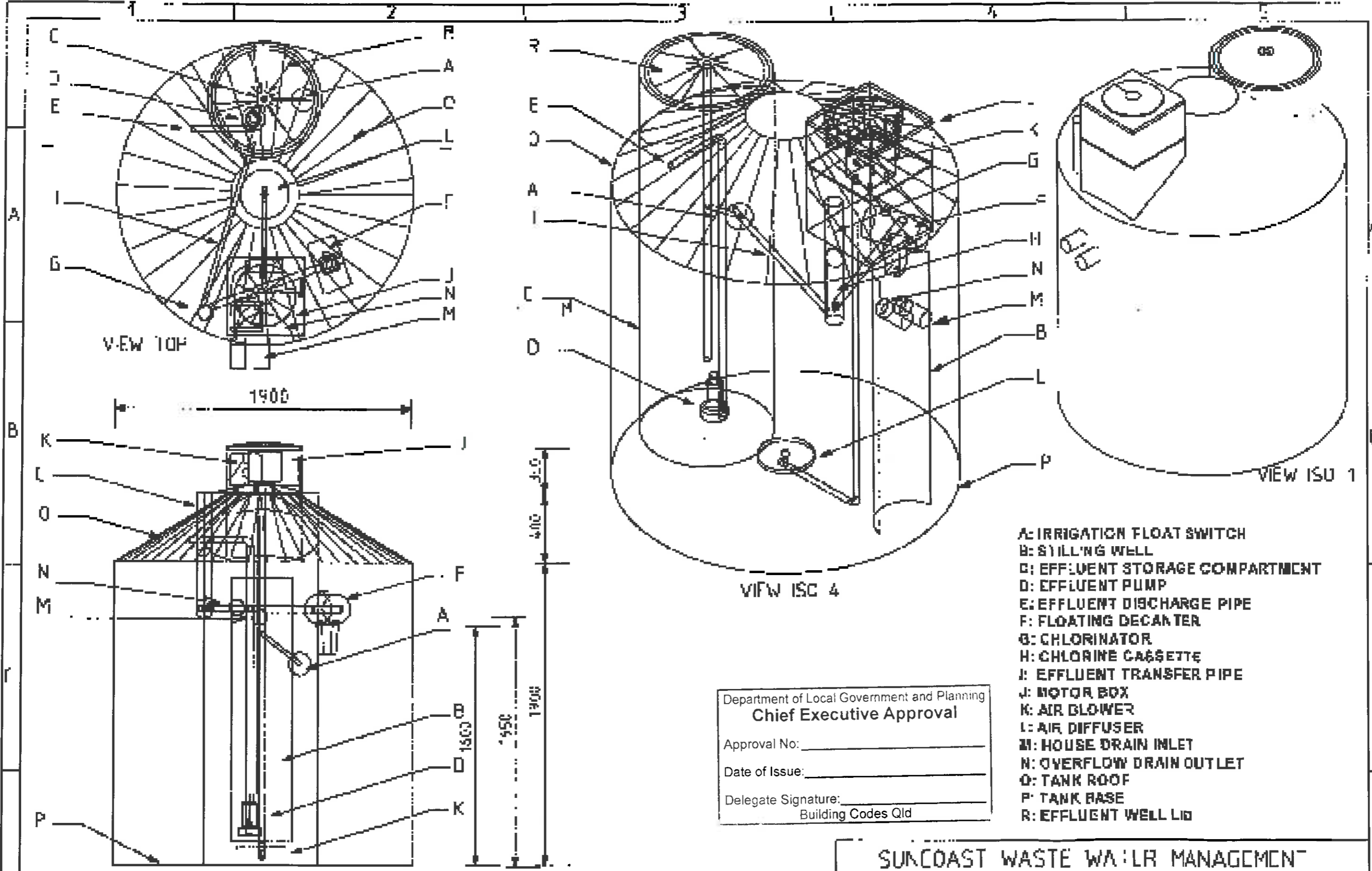
Drawings for the

OzziKleen GTS10

HW



Department of Local Government and Planning
Chief Executive Approval
 Approval No: 4/16
 Date of Issue: 12/4/16
 Delegate Signature: [Signature]
 Building Codes Qld



- A: IRRIGATION FLOAT SWITCH
- B: SYLLING WELL
- C: EFFLUENT STORAGE COMPARTMENT
- D: EFFLUENT PUMP
- E: EFFLUENT DISCHARGE PIPE
- F: FLOATING DECANTER
- G: CHLORINATOR
- H: CHLORINE CASSETTE
- J: EFFLUENT TRANSFER PIPE
- K: MOTOR BOX
- L: AIR DIFFUSER
- M: HOUSE DRAIN INLET
- N: OVERFLOW DRAIN OUTLET
- O: TANK ROOF
- P: TANK BASE
- R: EFFLUENT WELL LID

Department of Local Government and Planning
Chief Executive Approval
 Approval No: _____
 Date of Issue: _____
 Delegate Signature: _____
 Building Codes Qld

SUNCOAST WASTE WATER MANAGEMENT

55 INDUSTRIAL AVENUE
 KUNDA PARK QLD 4576
 Ph 07 5459-4900
 Fax 07 5456-4677

DRAWN: P. CLOSE		GREY WATER TREATMENT SYSTEM		SCALE: N/A DATE: 20 09 2010		Proj: 51003-01 Rev: 2	
DIMENSIONS IN MM		CHKD: D. THIN		MDDC: 3TS10			